

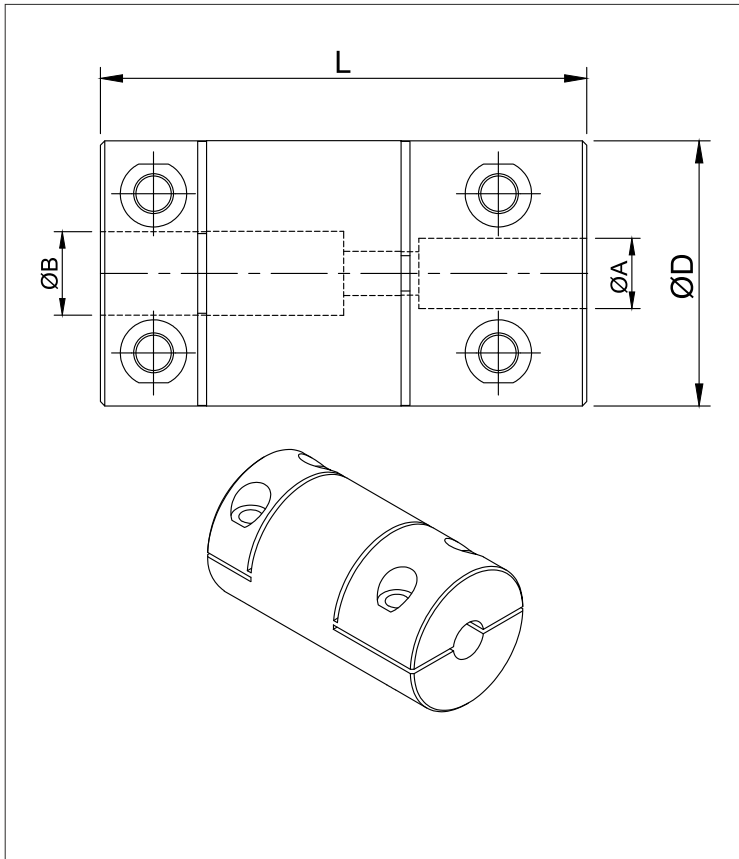
SPECIFICATION SHEET
Bholanath

NEMA 24(60MM)
RIGID COUPLING
BH60-RC- 8X8
BH60-RC- 8X9.5
BH60-RC- 10X10



BHOLANATH Rigid Coupling BH60-RC, Suitable For All NEMA 24(60 mm) Frame Size Stepper Motors Offers High Transmittable Torque Special Grade Aluminium Which Can Absorb Angular And Axial Misalignment Compact Dimension Backlash And Maintenance Free.

Suitable For All Motion Control Application.



Sr No	Rigid Coupling Model No	Bore size (mm)A- Motor End	Bore size (mm) B	Diameter (mm) D	Length (mm) L	Weight (gm)
1	BH60-RC- 8X8	Ø8	8	Ø30	55	100
2	BH60-RC- 8X9.5	Ø8	9.5	Ø30	55	87
3	BH60-RC- 10X10	Ø10	10	Ø30	55	87



Bholanath Precision Engineering Pvt.Ltd.

11,Kembros Ind.Estate , Sonapur Lane , Bhandup (W),Mumbai - 400078.
Telefax/Phone : 25662856/25664338/67993260 Email : support@bholanath.in
Mobile No : 9920903825/9821671733/9930514603/9819515543/9323166582.